

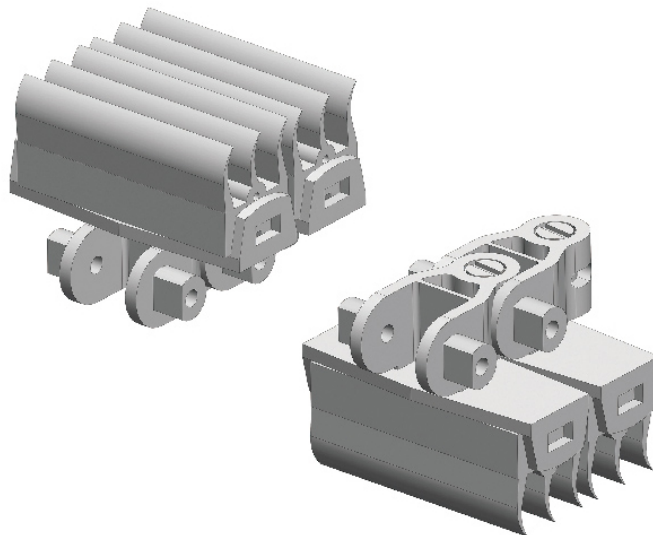
Har2350PW-VTR Series

FLEXIBLE CHAINS

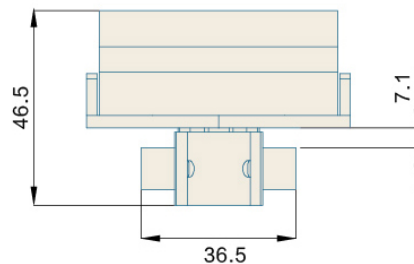
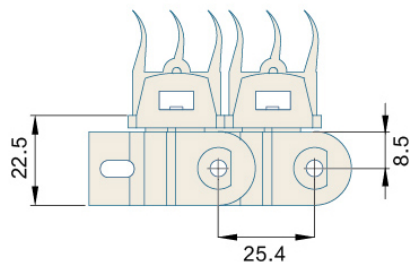
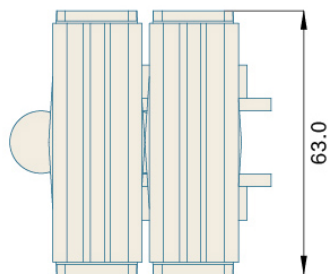
FLEXIBLE CHAINS 2350PW-VTR

P=25.4mm, T=46.5mm

PIN:Stainless steel



节距 Pitch	链板材质 Material	颜色 Color
25.4mm	POM	白色/White



型号 Type No.	宽度 Width (mm)	节距 Pitch (mm)	重量 Weight (Kg/m)	转弯半径 Radius (mm)	负载 Working Capacity (N)
Har2350PW-VTR-K248	63.0	25.4	1.90	150	2100

链轮 Sprocket	护栏 Guide	弯轨 Guide Rails	其余配件 Component
S41-S43	R01-R42	—	C01-C57